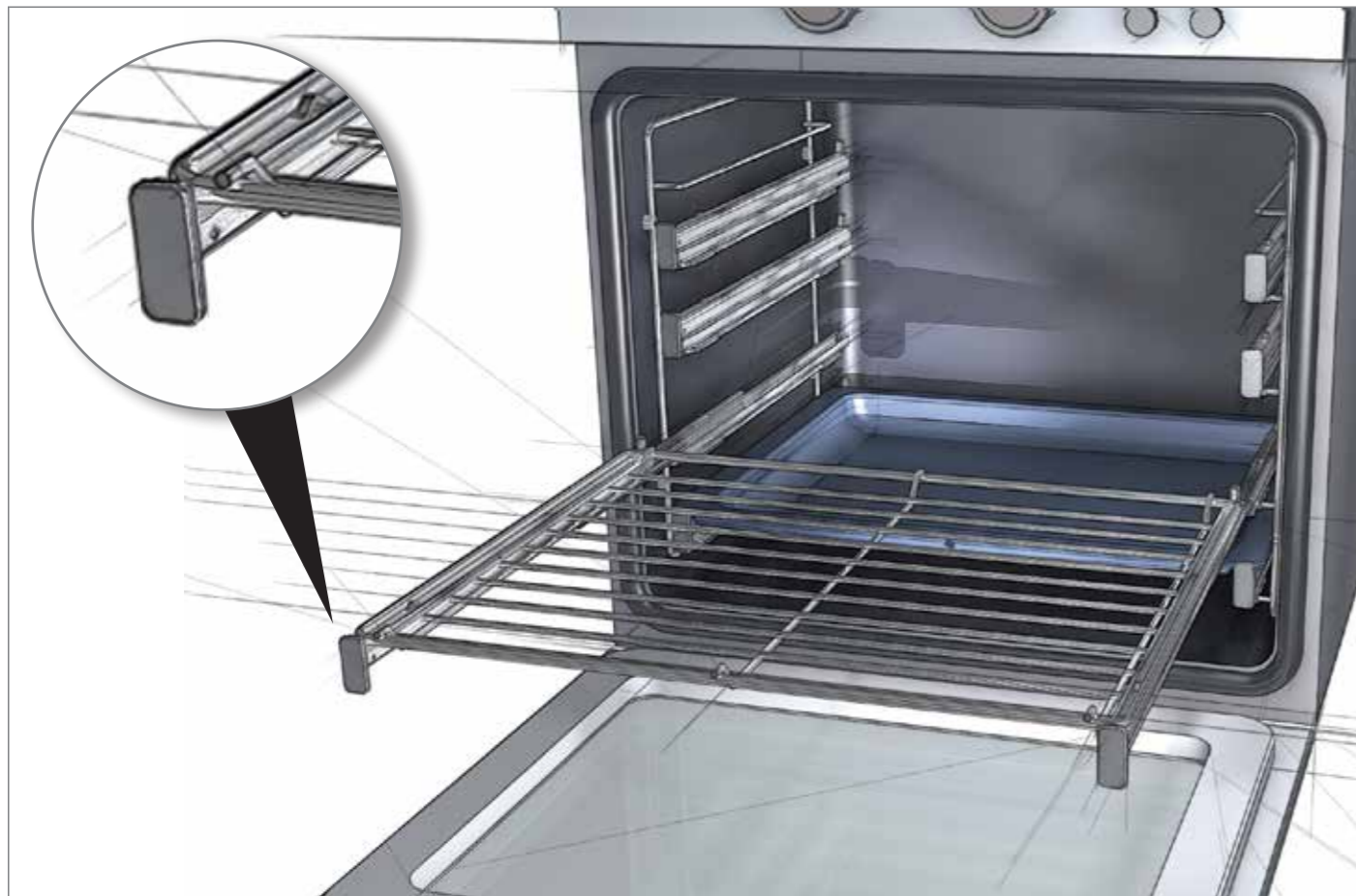


## Quadro oven runners

### ► Positioning oven rack systems

The oven rack systems can be positioned on the runner easily and securely: they are placed between cover cap and stop pin, securely anchoring them, in place.

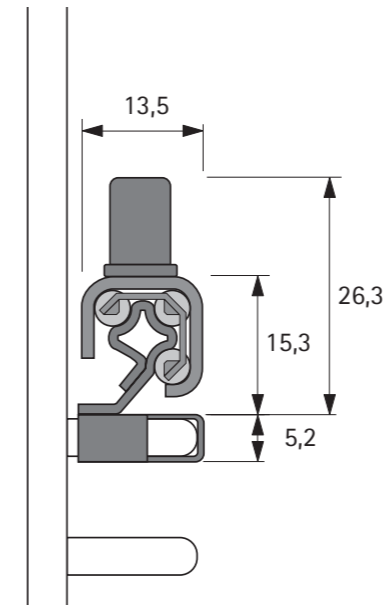
The stabilising imprint on the profile provides additional lateral stability. Baking tray and oven rack are very easy to position – and just as easy to remove again. As a result, the oven rack systems can be swapped around quickly and securely and pushed in at the chosen oven level.



## Quadro oven runners

### ► Fitting situation

#### Quadro 3 with Fix Clip



#### Quadro 3 with Comfort Clip

